

ABA SAFE



- ① Extra strong one-piece pressed housing
- ② Smooth inner band
- ③ Spring insert

The flexible clamp

ABA Safe™ utilizes the flexibility of the hose (rubber) and protects soft hoses against damage. The profile beads increase the clamp pressure locally, which means the clamp can also be used for plastic piping that is relatively resistant to deformation. Safe™ clamp provides the clamping force needed for an effective joint.

Advantages at a glance

- Protect soft hoses from damage
- Insert made of stainless steel in all cases
- Every clamp is date stamped for traceability

Typical applications

- Plastic ducts or soft hose.

Materials



ABA Safe Aluzink S20

- The band is made of Aluzink for added corrosion resistance this gives three times the protection offered by conventional galvanized steel

ABA Safe Stainless S40

- All parts are made of SS 2333/AISI 304 stainless steel
- Every clamp is date stamped for traceability This not only ensures premium corrosion resistance, it also prevents abrasion caused by using different material grades.

Safe characteristics

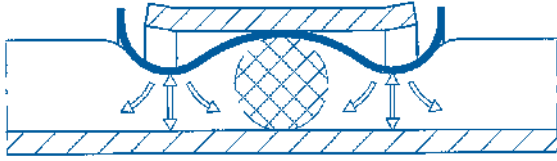


Illustration 1. On tightening, the wave-shaped band causes maximum compression of the rubber at the two beads. The rubber is squeezed inwards towards the middle and outwards towards the edges. As the rubber between the two beads is only marginally affected it retains its elasticity and acts as an "O" ring.

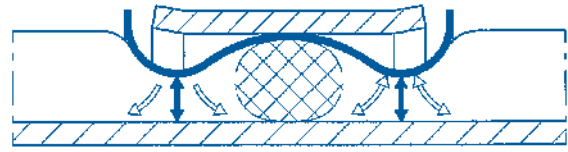
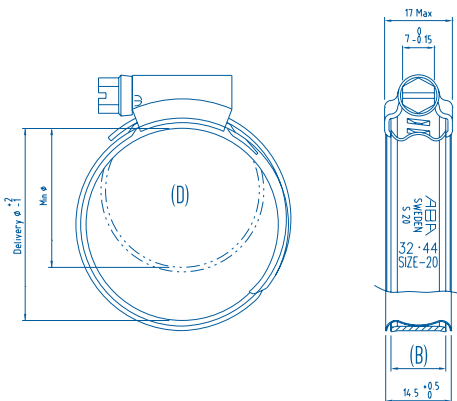


Illustration 2. On heating the band the "O" ring flattens out. As it cools down it will assume its original shape and seal against the end fitting. The design of the Safe™ clamp makes it particularly suitable for soft hoses with relatively thick walls. Plastic piping that is relatively resistant to compression can often be sealed due to the increased pressure.

Dimensions



Specifications

ABA SAFE™ 12 MM					
Width (B mm)	Clamping ranges (D mm)	Clamping ranges (D in.)	Thickness (S mm)	S20 Product No.	S40 Product No.
12	32-44	1 1/4-1 3/4	0.8*	0813 4008 038	0813 4017 038
	38-50	1 1/2-2	0.8*	0813 4008 044	0813 4017 044
	44-56	1 3/4-2 3/16	0.8*	0813 4008 050	0813 4017 050
	50-65	2-2 9/16	0.8*	0813 4008 058	0813 4017 058
	58-75	2 1/4-2 15/16	0.8*	0813 4008 067	0813 4017 067
	68-85	2 11/16-3 3/8	0.8*	0813 4008 077	0813 4017 077
	77-95	3-3 3/4	0.8*	0813 4008 086	0813 4017 086
	87-112	3 7/16-4 7/16	0.8*	0813 4008 100	0813 4017 100

* 1.0 for S20